



is a registered trademark of Chengdu Xindak Electronic Co.,LTD, China

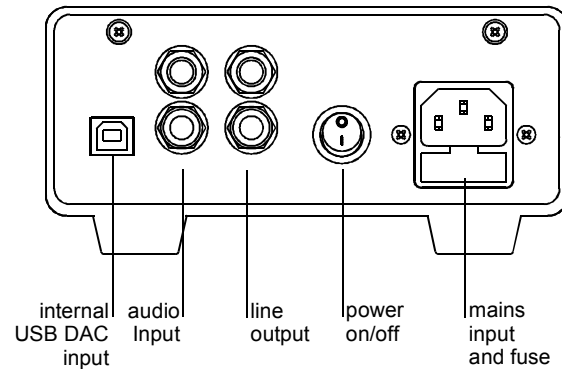
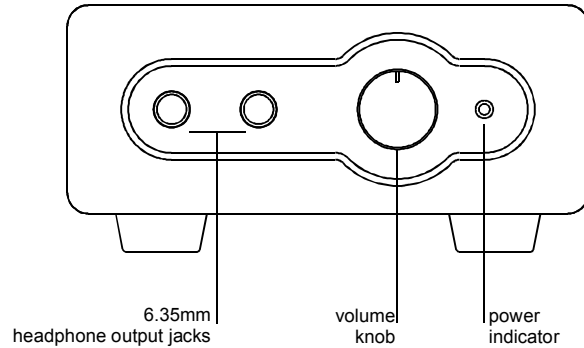
© 2004 Chengdu Xindak Electronics Co.,LTD. All rights reserved.

INSTRUCTIONS

H1

Headphone Amplifier

Appearance



Instruction for Using

H1 headphone amplifier is specially designed for Hi-Fi/Computer system. If you use USB cable connect the unit to your PC USB connector, it's could make your PC become part of Hi-Fi system, and through it you could enjoy kinds of high-quality music in your PC.

Features:

- Class A power amplifier circuit, high SNR and low distortion.
- Built-in high performance USB DAC (PCM2704).
- Standard-B type of USB connector.
- Two 6.35mm headphone jacks.

Specifications

- Max. output voltage(Line Output) 6V RMS
- Max. power output 330mW/16Ω,
- Frequency response 10Hz - 100KHz(±1.5dB)
- Audio Inputs 16Ω~600Ω
- Audio Outputs one pair single-ended on RCA
two pcs 6.35mm headphone output jacks
- Signal-to-Noise Ratio more than 100dB (A Weight)
- THD 1KHz with no more than 0.015%
- Input impedance 47kohm
- Gross weight 1.6kg
- Dimension(W*H*D) 150mmX70mmX230mm
- Supply voltage Specified on rear panel